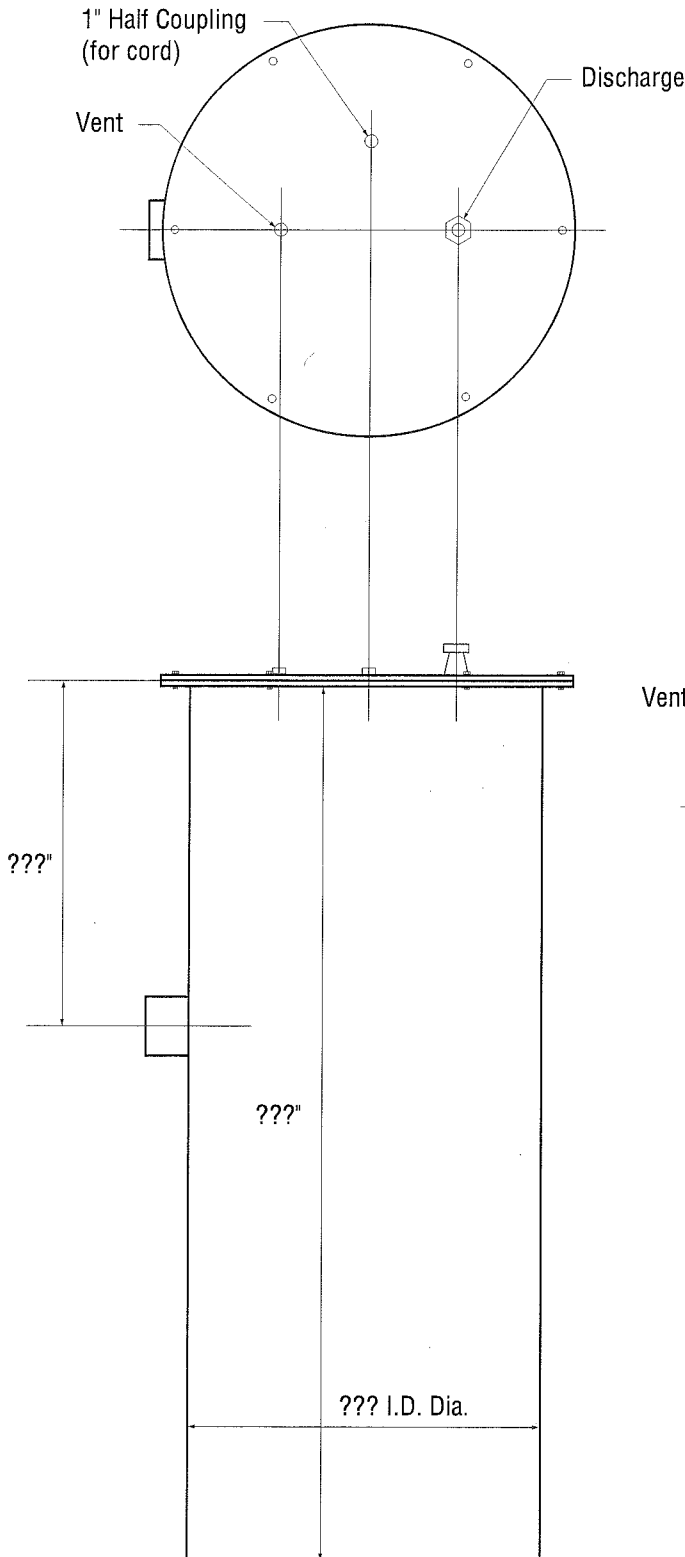
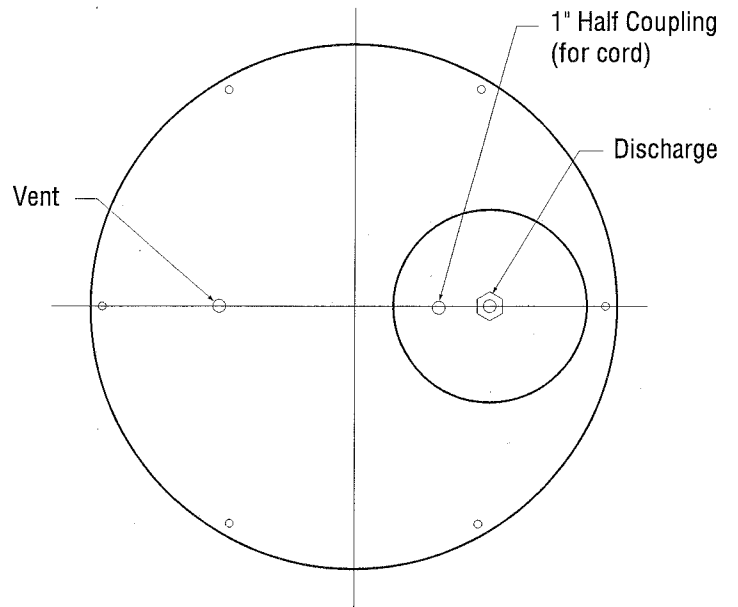


### Standard Steel Sump Basin

Model No. See previous page



3/16" Steel Construction  
Protective Coating Interior and Exterior



Sump Basins 36" Dia. and larger —  
One Pump Access Hatch will be provided  
for each pump required

**DWG. A4441**