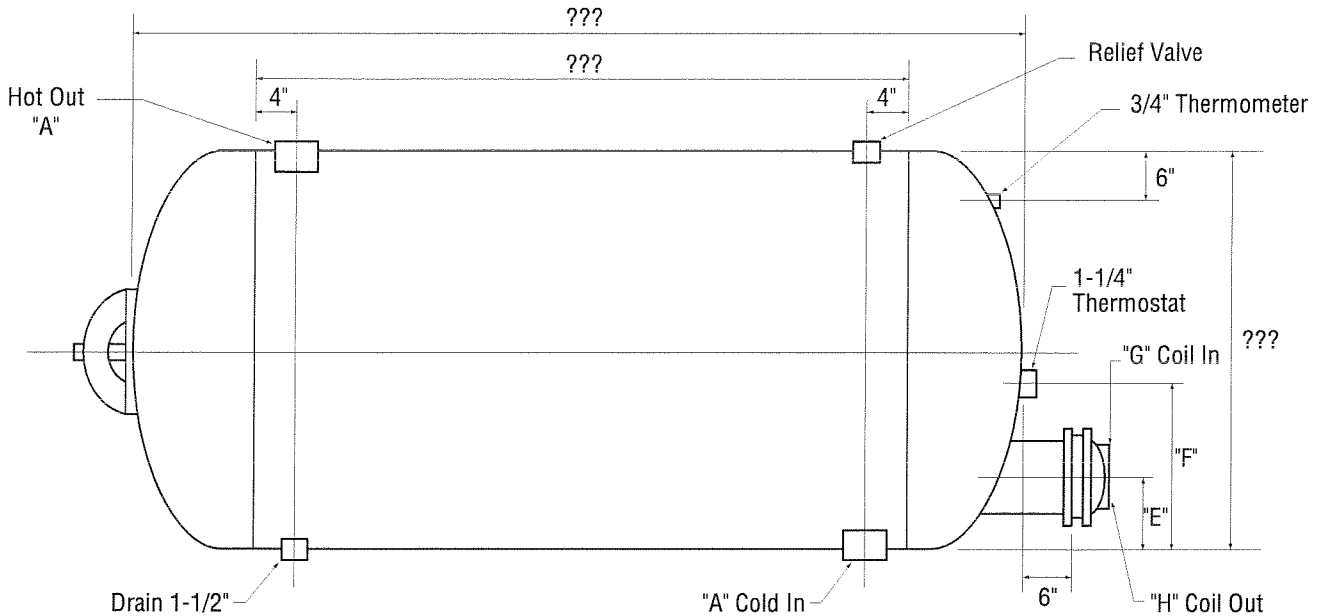


Horizontal Hot Water Storage Tanks



HORIZONTAL ____ PSI HOT WATER GENERATOR

ASME ____ YES ____ NO

Manufactured in accordance with Section VIII,
ASME Pressure Vessel code

Fitting locations to be dimensioned from head
and shell joint.

COIL DIA.	E	F	G	H	TANK DIA.	"A"
4	7	14			30"	
6	8	16			36"	
8	9	18			42"-48"	
10	10	20			54"-66"	
12	12	24			72"-84"	
14	13	26			90"+	
16	14	28				

12X16 Manway Standards only on cement, phenolic lined, and all tanks 42" diameter and over. All others to have inspection openings as required by ASME code.

COIL INFORMATION ASME STAMPED	
MODEL NO.	_____
HEATING SURFACES	_____ SQ. FT.
NO. OF PASSES	_____
DIA.	LENGTH _____
RATING	_____ GPH _____ F _____ F
WITH	_____
TUBE SHEET	_____
TUBES	_____ O.D. _____
CAP	_____

TANK MODEL NO.	_____
NUMBER REQUIRED	_____
DIA.	_____ S.L. _____ O.A.L. _____
CAPACITY:	_____
FINISH: INTERIOR	_____
EXTERIOR	_____
CUSTOMER	_____
JOB	_____
SUBMITTED BY	_____
DATE	_____