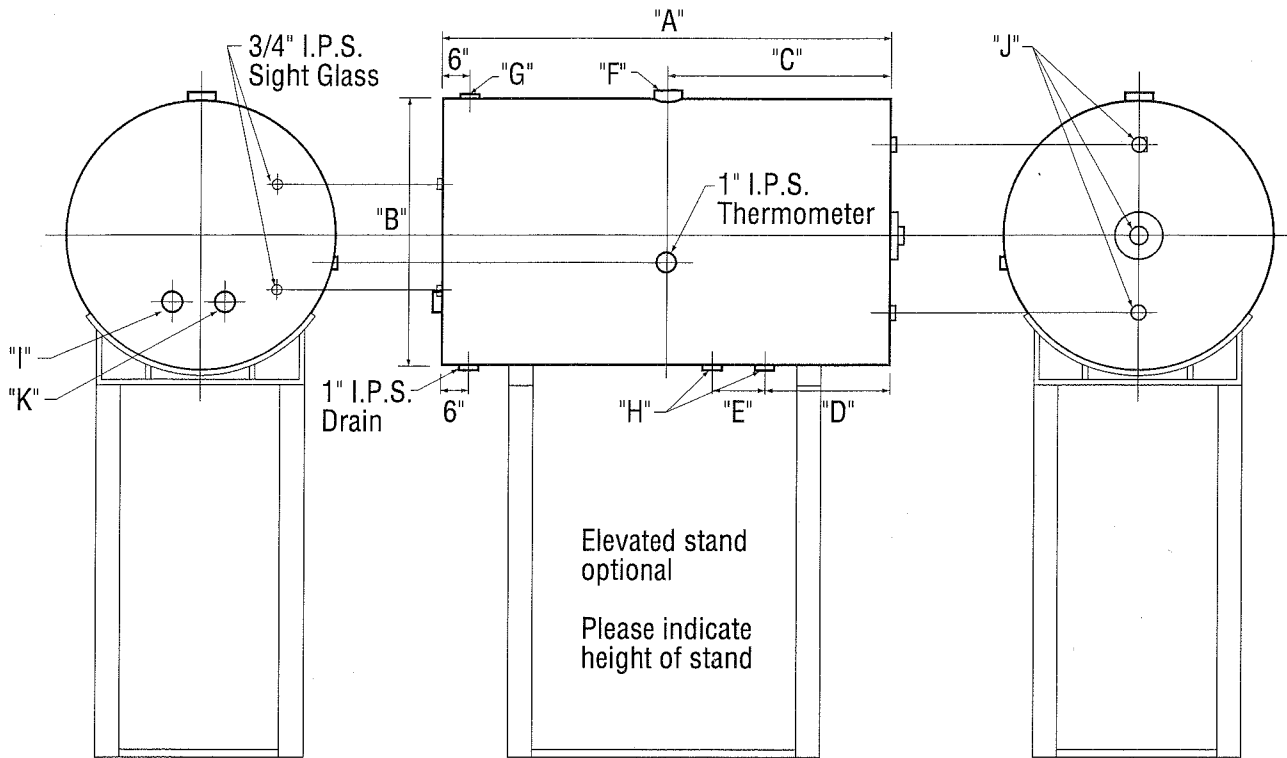


Midwest Tank Company



TANK CAPACITY	LENGTH A	DIAM. B	C	D	E	LOW PRESSURE RETURN F	G	H	HI PRESSURE RETURN I	J	TANK HEATER K
150	4'-0"	2'-7"	2'-1/2"	1'-4"	8"	4"	1"	2"	1"	1"	1"
210	5'-0"	2'-8"	2'-6"	1'-6"	8"	4"	1 1/2"	2"	1"	1"	1"
260	6'-0"	2'-9"	3'-1 1/2"	2'-0"	8"	4"	1 1/2"	2"	1 1/4"	2"	1 1/4"
315	6'-0"	3'-0"	2'-8"	2'-0"	8"	4"	1 1/2"	2"	1 1/4"	2"	1 1/4"
430	6'-0"	3'-6"	2'-9"	2'-0"	8"	4"	2"	2"	1 1/4"	2"	1 1/4"
500	7'-0"	3'-6"	3'-6"	2'-0"	12"	4"	2"	2 1/2"	2"	2"	2"
650	7'-0"	4'-0"	3'-6"	2'-0"	12"	4"	2 1/2"	2 1/2"	2"	2"	2"
750	8'-0"	4'-0"	4'-0"	2'-6"	12"	4"	2 1/2"	3"	2"	2"	2"
1035	11'-0"	4'-0"	6'-1/2"	4'-0"	12"	4"	2 1/2"	3"	2 1/2"	3"	2 1/2"
1335	8'	5'-4"	4'-3"	3'-0"	12"	4"	2 1/2"	3"	2 1/2"	3"	2 1/2"
1470	9'-6"	5'-0"	4'-9"	3'-0"	12"	4"	2 1/2"	3"	2 1/2"	3"	2 1/2"
1620	11'-0"	5'-0"	5'-7"	4'-0"	12"	6"	2 1/2"	3"	3"	3"	3"
2000	12'-0"	5'-4"	6'-11 1/2"	4'-6"	12"	6"	2 1/2"	3"	3"	3"	3"

Dimensions and specifications are subject to change without notice.