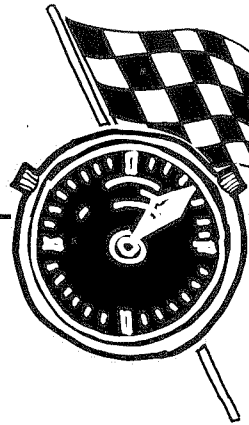


Skidmore™

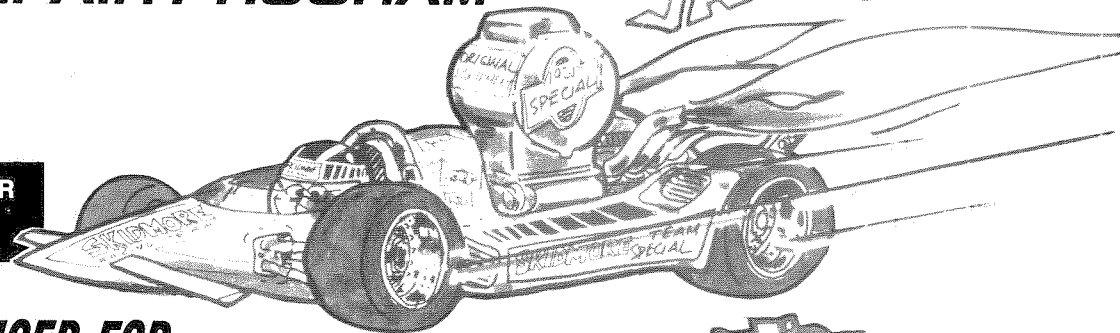
FAST TRACK LAST TRICK

SUMMER PIT STOP REPAIR PROGRAM



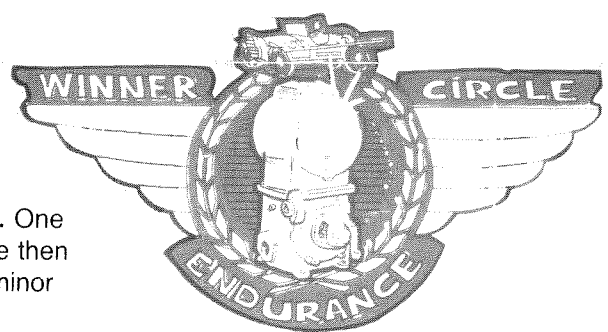
V.A. ROOM

**TO CLEAN AND REPAIR
YOUR VACUUM PUMP
CASING ASSEMBLY!**



DESIGNED AND PRODUCED FOR PERFORMANCE BACK IN THE ROARING 20's...

Skidmore was founded on performance! Back in the 20's we designed and produced one of our first "WINNERS" - The ROTARY VACUUM PUMP. One of the first units was shipped on October 8, 1927-serial number 317382, since then our "Pit Crew" informed us that this unit has only been back in for a couple minor tune-ups throughout it's lengthy endurance run... **THAT'S PERFORMANCE!**



NOW-don't let your system gather dust this summer. Once the heating season is here, the HEAT WILL REALLY BE ON and your vacuum pump will be required to operate without breakdown **ALL WINTER LONG!**

SO NOW is the time to let our "Pit Crew" repair and update your Skidmore vacuum pump casing assembly. Take advantage of our **FAST TRACK SUMMER PIT STOP REPAIR PROGRAM** and be sure your heating system is ready to operate at top efficiency.

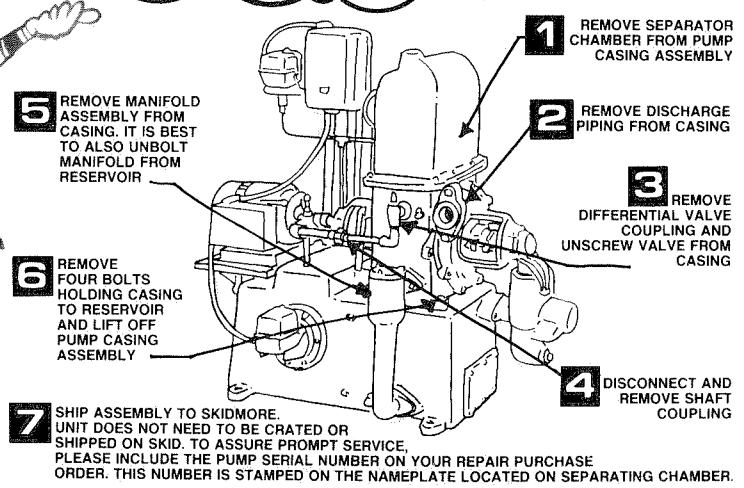
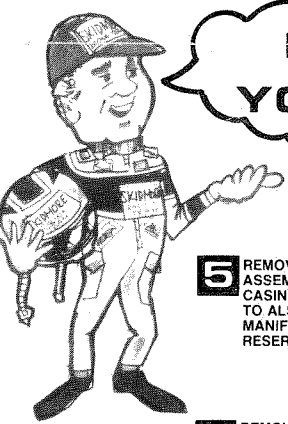
THE FAST TRACK SUMMER PIT STOP REPAIR PROGRAM INCLUDES:

- Castings cleaned, inside and out
- Thorough inspection for soundness
- Reassembly with new moving parts
- Painting and safe return to you

This special program is for Skidmore single or duplex Rotary Vacuum Pump Units, Series A through I.

For more information, contact the Skidmore sales department or your local Skidmore representative.

**HERE IS WHAT
YOU SHOULD DO ...**



HERE IS WHAT SKIDMORE'S PIT CREW WILL DO:

When your pump casing assembly is received, it is completely disassembled, all castings cleaned and, when necessary, sandblasted. Castings are inspected and, if the iron is sound, the unit will be repaired. If we feel any casting is not worth using, you will be contacted before we continue. After cleaning, the pump will be reassembled using all new moving parts including: shaft, discharge impeller(s), shaft sleeve bearings, packing gland assemblies, post, casing bushing, ball bearings and rotor. The like-new unit is then painted and returned to you, strapped on a skid and protected with a plywood cover. The total repair time from receipt of unit to return is four weeks.

Manufacturing Plant and Offices:

Skidmore™
1875 Dewey Avenue
P.O. Box 8583
Benton Harbor, Michigan 49023-8583
TEL:(269) 925-8812

CONTACT SKIDMORE SALES DEPARTMENT OR YOUR LOCAL SKIDMORE REPRESENTATIVE TODAY!