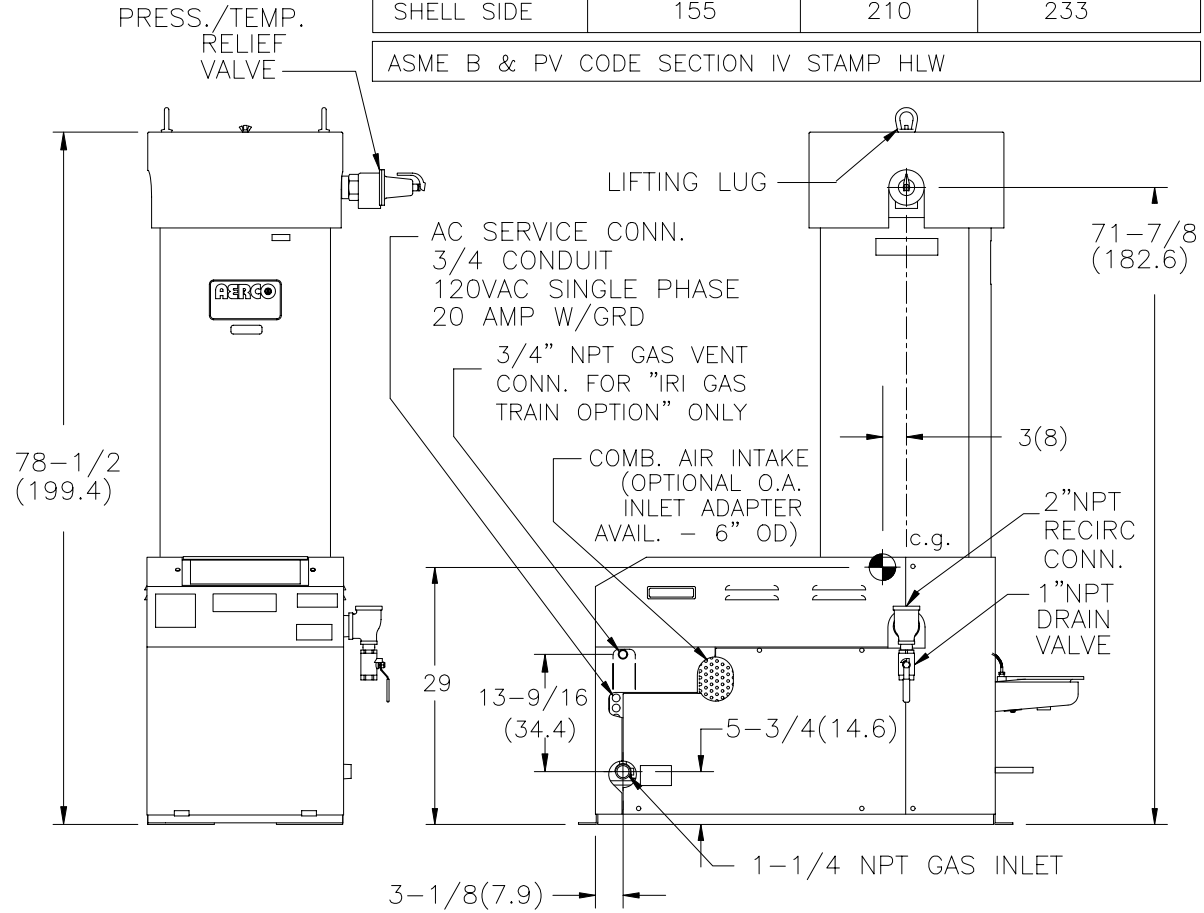
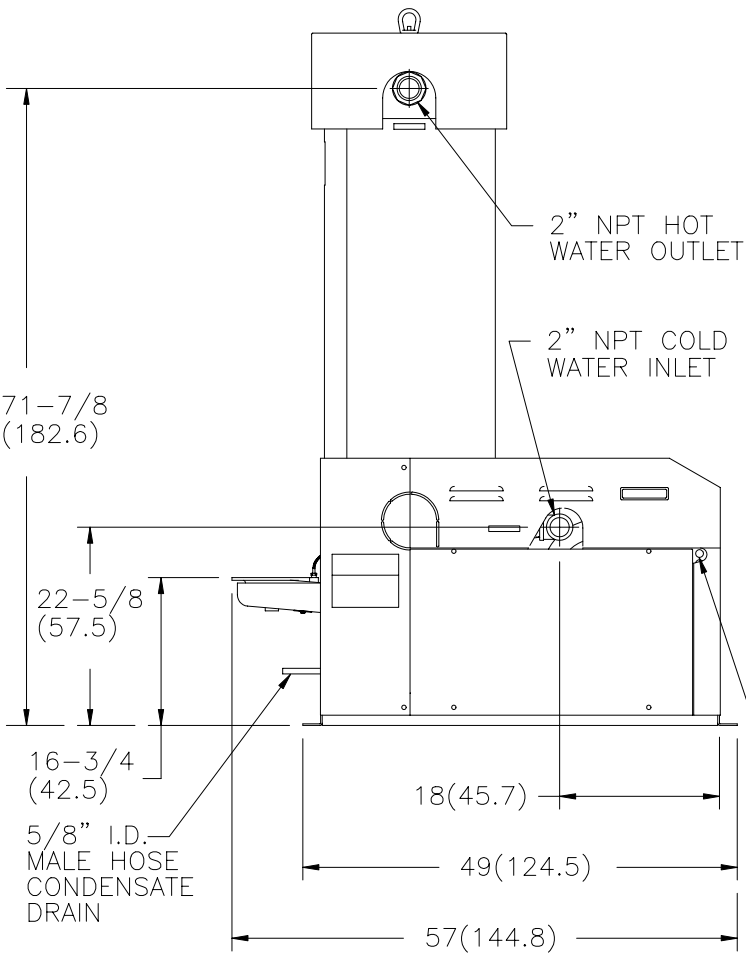


MATERIALS OF CONSTRUCTION	
PRESSURE VESSEL	1/4" CARBON STEEL SHELL, SA-53, GRADE B 1-1/4" CARBON STEEL HEAD, SA-515/516 GR.70
COMBUSTION CHAMBER	CU-NI HELICAL TUBE, SB-111, CDA-C70600 CU-NI UPPER HEAD, SB-171, CDA-706 CU-NI TUBESHEET, SB-171, CDA-706 1/4" WALL CU-NI WELDED TUBE SB-171, CDA-706

HEAT EXCHANGER DESIGN STANDARDS			
	MAX. WORKING PRESS. (PSIG)	MAXIMUM TEMP. (°F)	TEST PRESS. (PSIG)
SHELL SIDE	155	210	233

ASME B & PV CODE SECTION IV STAMP HLW



REMOTE ALARM & CONTROL CONNECTION - 3/4 CONDUIT

NOTES:

- 1) ALL DIMENSIONS SHOWN ARE IN INCHES (CENTIMETERS)
- 2) DRAIN VALVE & RELIEF VALVE ARE INCLUDED SEPARATELY IN SHIPMENT

AERCO INTERNATIONAL INC.
NORTHVALE, NEW JERSEY 07647

MODEL KC1000 GAS FIRED
POTABLE WATER HEATER
DIMENSIONAL DRAWING

DWN BY P.K./G.K. DATE 2-1-95
SCALE 1:24 SIZE B
CHKD APPD

AP-A-576 H