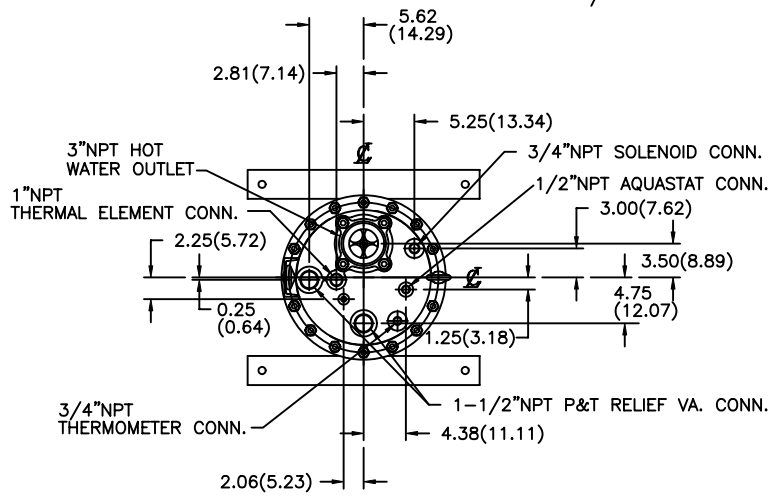


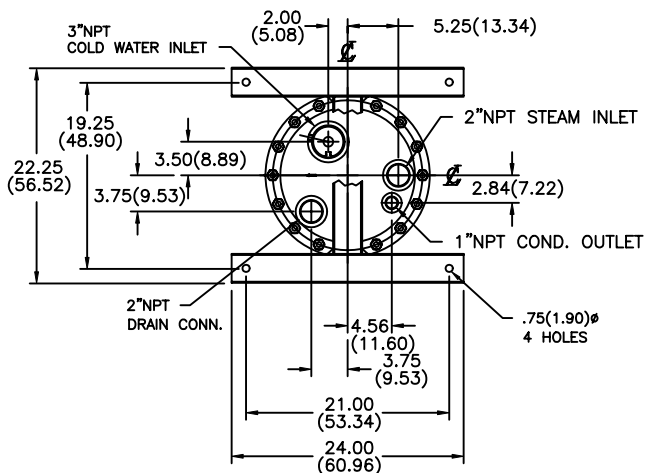
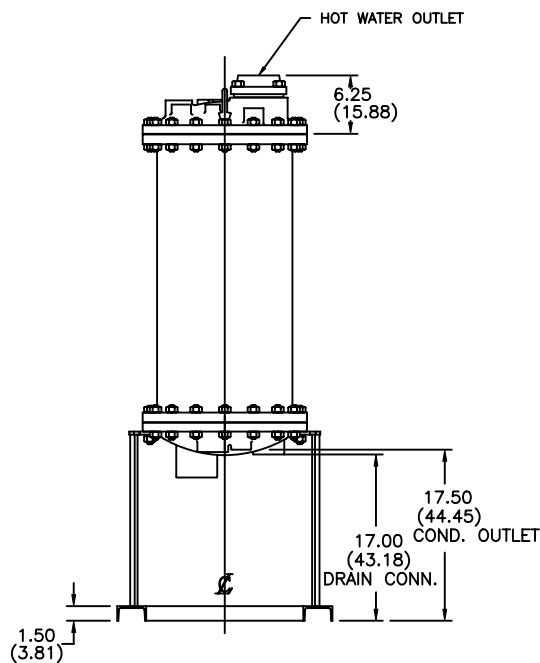
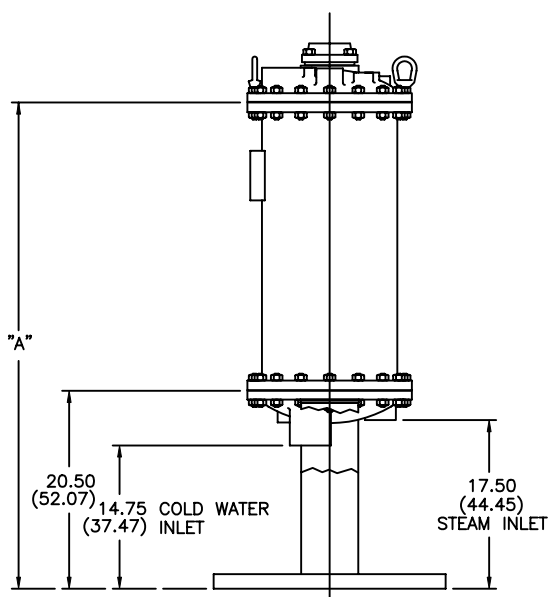
WATERWIZARD MODEL B+ / B



HEAT EXCHANGER DESIGN STANDARDS			
	MAX. WORKING PRESS., PSIG(kPa)	MAX. TEMP. °F(°C)	TEST PRESS., PSIG(kPa)
SHELL SIDE	235(1619)	400(204)	355(2446)
TUBE SIDE	250(1723)	400(204)	375(2584)
ASME B&PV CODE SEC. VIII, DIV.1			STAMP U

OPERATING CONDITIONS		
WATER	CAPACITY, GPM(L/S)	IN/OUT TEMP., °F(°C)
STEAM	FLOW LB/HR (Kg/S)	PRESSURE TO VALVE PSIG(kPa)

DIMENSIONS SHOWN ARE IN INCHES.
DIMENSIONS IN () ARE IN CENTIMETERS.



HEATER MODEL	NO. OF COILS	HEATING SURF. SQ.FT.(SQ.M.)	SHELL VOL. GAL. (L)	DIM. "A"	WEIGHT LBS.(Kg.)
B+03	3	15 (1.39)	15 (57)	41.38 (105.11)	345 (157)
B+04	4	20 (1.85)	19 (72)	50.38 (127.97)	415 (188)
B+05	5	25 (2.32)	19 (72)	50.38 (127.97)	430 (195)
B+06	6	30 (2.78)	24 (91)	59.38 (150.83)	460 (209)
B+07	7	35 (3.25)	24 (91)	59.38 (150.83)	475 (216)
B+08	8	40 (3.71)	29 (110)	68.38 (173.69)	530 (240)
B+09	9	45 (4.18)	29 (110)	68.38 (173.69)	545 (247)
B+10	10	50 (4.63)	33 (125)	77.38 (196.55)	595 (270)
B+11	11	55 (5.11)	33 (125)	77.38 (196.55)	610 (277)
B+12	12	60 (5.56)	38 (144)	86.38 (219.41)	655 (297)
B+13	13	65 (6.04)	38 (144)	86.38 (219.41)	670 (304)
B+14	14	70 (6.49)	42 (159)	95.38 (242.27)	725 (329)
B+15	15	75 (6.97)	42 (159)	95.38 (242.27)	740 (336)

MATERIALS OF CONSTRUCTION	
SHELL	CARBON STEEL, SA-53 Gr.B
LINER	COPPER, SB-152, 0.024" THK.
HEADS	BRONZE, SB-62
COILS	COPPER, SB-111 CDA 122 LIGHT DRAWN 0.625" O.D. x 0.049" WALL
RISERS	RED BRASS, SB-43

AERCO INTERNATIONAL, INC.
NORTHVALE, NJ 07647

WATERWIZARD B+II WATER HEATER
BARE HEATER

DWN.BY PK DATE 012094	REV. C
SCALE _____ SIZE _____	
CHKD. _____ APPD. _____	AP-A-707