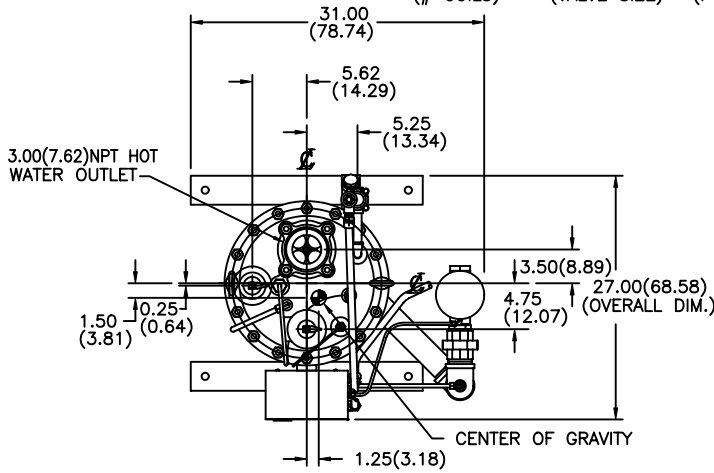


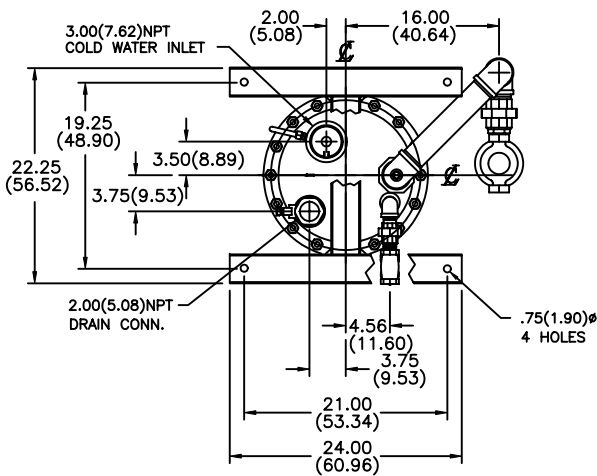
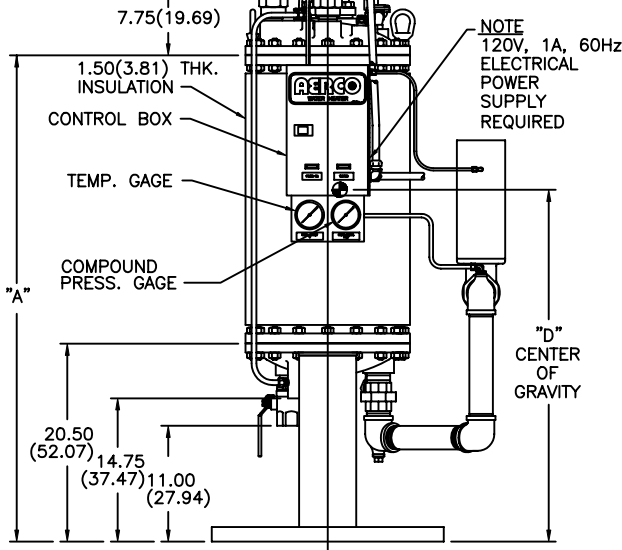
WATERWIZARD MODEL B+

(# COILS) / (VALVE SIZE) (P OR S)



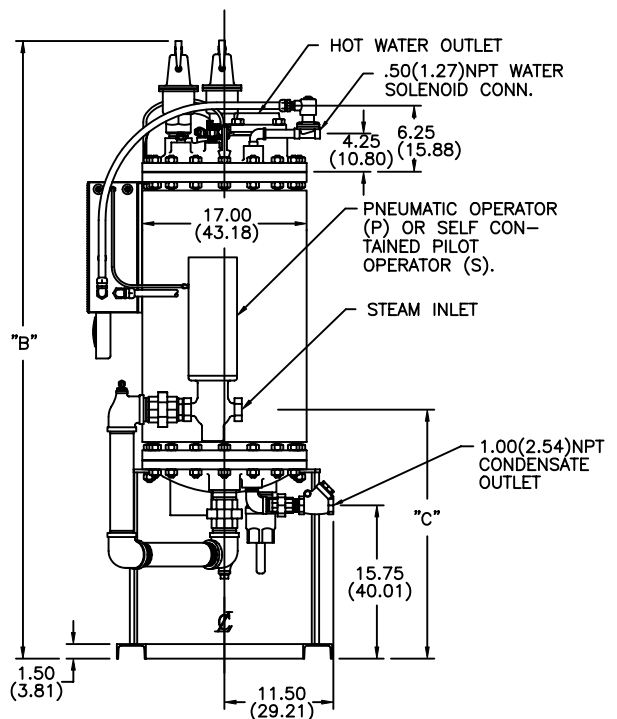
P&T RELIEF VALVE

NOTE:
FOR AIR OPERATED (PNEUMATIC) CONTROL VALVE, 25 PSIG REGULATED AIR SUPPLY IS REQUIRED.



DIMENSIONS SHOWN ARE IN INCHES.
DIMENSIONS IN () ARE IN CENTIMETERS.

HEAT EXCHANGER DESIGN STANDARDS			
	MAX. WORKING PRESS., PSIG(kPa)	MAX. TEMP. °F(°C)	TEST PRESS., PSIG(kPa)
SHELL SIDE	235(1619)	400(204)	355(2446)
TUBE SIDE	250(1723)	400(204)	375(2584)
ASME B&PV CODE SEC. VIII, DIV.1			STAMP U
RELIEF VALVES SET AT °F, PSI			
OPERATING CONDITIONS			
WATER	CAPACITY, GPM(L/S)	IN/OUT TEMP., °F(°C)	
STEAM	FLOW LB/HR (Kg/S)	PRESSURE TO VALVE PSIG(kPa)	
CONTROL VALVE SIZE		"C" DIMENSION	
1"(2.54) SCREWED END		26.00(66.00)	
1-1/4"(3.18) SCREWED END		26.00(66.00)	
1-1/2"(3.81) SCREWED END		26.00(66.00)	
2"(5.08) SCREWED END		26.00(66.00)	
2-1/2"(6.35) 150# ANSI FLANGED END		31.00(78.74)	
3"(7.62) 150# ANSI FLANGED END		31.00(78.84)	
4"(10.16) 150# ANSI FLANGED END		31.00(78.84)	



HEATER MODEL	NO. OF COILS	HEATING SURF. SQ.FT.(SQ.M.)	DIM. IN.(CM)			WT. LBS.(Kg)	
			"A"	"B"	"D"	DRY	WET
B+03	3	15 (1.39)	41.38 (105.11)	55.00 (139.70)	27.38 (69.55)	460 (209)	600 (272)
B+04	4	20 (1.85)	50.38 (127.97)	64.00 (162.56)	31.88 (80.98)	535 (243)	700 (318)
B+05	5	25 (2.32)	50.38 (127.97)	64.00 (162.56)	31.88 (80.98)	550 (250)	710 (322)
B+06	6	30 (2.78)	59.38 (150.83)	73.00 (185.42)	36.38 (92.41)	595 (270)	810 (368)
B+07	7	35 (3.25)	59.38 (150.83)	73.00 (185.42)	36.38 (92.41)	610 (277)	820 (372)
B+08	8	40 (3.71)	68.38 (173.69)	82.00 (208.28)	40.88 (103.84)	665 (302)	910 (413)
B+09	9	45 (4.18)	68.38 (173.69)	82.00 (208.28)	40.88 (103.84)	680 (309)	920 (418)
B+10	10	50 (4.63)	77.38 (196.55)	91.00 (231.14)	45.38 (115.27)	725 (329)	1010 (459)
B+11	11	55 (5.11)	77.38 (196.55)	91.00 (231.14)	45.38 (115.27)	740 (336)	1020 (463)
B+12	12	60 (5.56)	86.38 (219.41)	100.00 (254.00)	49.88 (126.70)	795 (361)	1110 (504)
B+13	13	65 (6.04)	86.38 (219.41)	100.00 (254.00)	49.88 (126.70)	810 (368)	1120 (508)
B+14	14	70 (6.49)	95.38 (242.27)	109.00 (276.86)	54.38 (138.13)	855 (388)	1210 (550)
B+15	15	75 (6.97)	95.38 (242.27)	109.00 (276.86)	54.38 (138.13)	870 (395)	1220 (554)

NOTE: CENTER OF GRAVITY IS WITHOUT VALVE LINE.

MATERIALS OF CONSTRUCTION	
SHELL	3/16"(0.48) SA53 GRD(B)(ERW) CARB. ST.
LINER	COPPER, ASTM B-370 ALLOY 122
HEADS	BRONZE, SB-62
COILS	COPPER, 0.049"(0.12) WALL, SB-111 ALLOY 122 LIGHT DRAWN
RISER	RED BRASS, SB-43

AERCO INTERNATIONAL, INC.
NORTHVALE, NJ 07647

WATERWIZARD B+II WATER HEATER
PACKAGED WITH CONTROL VALVE

DWN.BY PK DATE 012094
SCALE _____ SIZE _____
CHKD. _____ APPD. _____

AP-A-706

REV. A